

M12 male 0° shielded B-cod. with cable, Profibus

PUR 1x2xAWG23 shielded vt torsion UL/CSA 5m

PROFIBUS

Male straight

M12, 2-pole

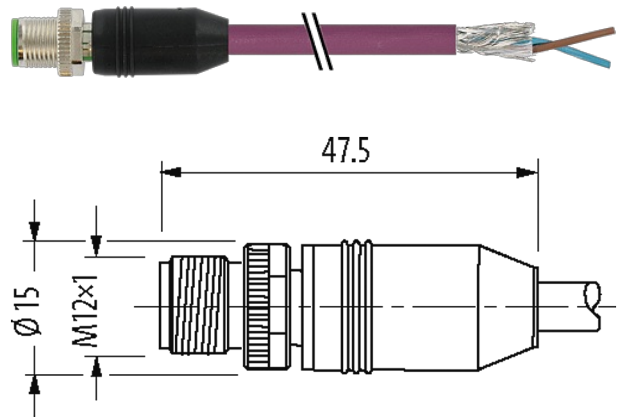
B-coded

shielded

Plastic housings with good resistance against chemicals and oils.

The resistance to aggressive media should be individually tested for your application. Further details on request.

Further cable lengths on request.

Illustration

Product may differ from Image

Approvals

* only for products with UL/CSA approved cable

cCSAus

More Info**Form**

Form 14051

Cables

| | |
|----------------------------|------------------------------|
| No./diameter of wires | 1 × 2 × 0.25 mm ² |
| Wire isolation | PE (rd, gn) |
| Jacket Color | violet |
| Material (jacket) | PUR (UL/CSA) |
| Outer Ø | 8.0 mm ±5% |
| Bend radius (moving) | 12 × outer Ø |
| Temperature range (fixed) | -40...+80 °C |
| Temperature range (mobile) | -20...+50 °C |

| | |
|-------------------------------------|---|
| Cable identification | 843 |
| Approval (cable) | UL (AWM-Style 20233/10578), CSA; CE |
| Cable weight [g/m] | 79,20 |
| Material (wire) | Cu wire, bare |
| Resistor (core) | max. 66 Ω km (20 °C) |
| Single wire \varnothing (core) | 0.15 mm |
| Construction (core) | 19× 0.15 mm (multi-strand wire class 5) |
| Diameter (core) | 1 × 2× 0.25 mm ² |
| Wire- \varnothing incl. isolation | 2.6 mm ±5% |
| Color/numbering of wires | rd, gn |
| Shield | yes |
| Material (jacket) | PUR |
| Outer- \varnothing (jacket) | 8.0 mm ±5% |
| Color (jacket) | violet |
| thermal resistance | flame retardant |
| Nominal voltage | 300 V |
| Temperature range (fixed) | -40...+80 °C |
| Temperature range (mobile) | -20...+50 °C |
| Bend radius (fixed) | 8× outer \varnothing |
| Bend radius (moving) | 12× outer \varnothing |
| Torsion stress | ±180°/m |

Technical Data

| | |
|--|--|
| Operating voltage | max. 60 V AC/DC |
| Operating voltage (only UL listed) | max. 30 V AC/DC |
| Rated surge voltage | 1.5 kV |
| Operating current per contact | max. 4 A |
| Material group | IEC 60664-1, category I |
| Coding | B-coded |
| Locking of ports | Screw thread (M12×1 mm) recommended torque 0.6 Nm, self-securing |
| Compression gland | M12 (SW13) |
| Protection | IP65, IP66K, IP67 inserted and tightened (EN 60529) |
| Locking material | Zinc die casting, matte nickel plated |
| Material | PUR |
| suitable for corrugated tube (internal \varnothing) | without |

General data

| | |
|---------------------------|--|
| Standards | DIN EN 61076-2-101 (M12) |
| Mounting method | inserted, tightened |
| Pollution Degree | 3 |
| Stripping length (jacket) | 20 mm |
| Temperature range | -25...+85 °C, depending on cable quality |

Commercial data

| | |
|-----------------------|---------------|
| country of origin | DE |
| customs tariff number | 85444290 |
| EAN | 4048879496612 |
| eClass | 27061801 |
| Packaging unit | 1 |